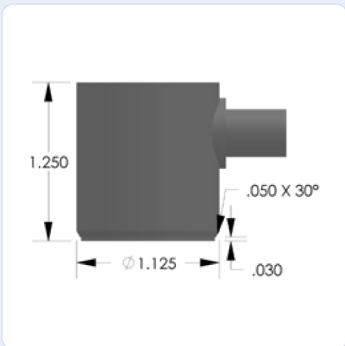


PRODUCT DATA SHEET

F15I-AST Sensor

Integral Pre-amplifier Sensor

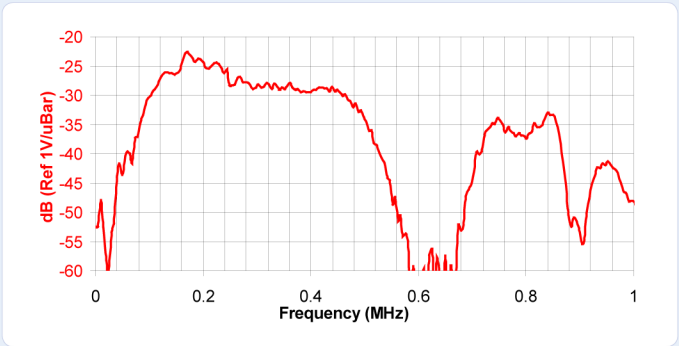


DESCRIPTION AND FEATURES

The F-series sensors are designed to incorporate the latest advances in materials and transducer design principles. These sensors unlike the resonant sensors (R-series) have a very high sensitivity and flat response in the bandwidth of operation. The F15I is an integral pre-amplifier wideband sensor with a flat frequency response over the range of 100 – 450 kHz. This sensor is an ideal candidate for applications requiring high bandwidth for frequency analysis of the AE signals for noise discrimination and source identification. This sensor features a rugged steel construction and an SMA connector exiting from the side of the sensor.

APPLICATIONS

This sensor is well suited for structural health monitoring of large structures like storage tanks, pipelines etc. Flat response of these sensors help eliminate the sharp rise and fall in the sensitivity with frequency commonly seen in resonant sensors, providing additional information for engineers to analyze. Wideband sensors are well suited for research applications where a high fidelity AE response is required. It can be easily mounted using epoxy.



OPERATING SPECIFICATIONS

Dynamic

Peak Sensitivity, Ref V/(m/s).....	110 dB
Peak Sensitivity, Ref V/μbar.....	-22 dB
Operating Frequency Range.....	100-450 kHz
Resonant Frequency, Ref V/(m/s).....	75 kHz
Resonant Frequency, Ref V/μbar.....	150 kHz
Directionality.....	+/-1.5 dB

Environmental

Temperature Range.....	-35 to 75°C
Shock Limit.....	500 g
Completely enclosed crystal for RFI/EMI immunity	

Physical

Dimensions.....	1.125"OD X 1.25"H
	28.5 mm OD X 31.8 mm H
Weight.....	70 grams
Case Material.....	Stainless steel
Face Material.....	Ceramic
Connector.....	BNC
Connector Locations.....	Side

Electrical

Gain.....	40 dB
Power Requirements.....	20-30 VDC @ 25 mA
Dynamic Range.....	> 87 dB
Noise Level (RMS RTI).....	< 3 μV
Output Drive Impedance.....	50 Ω
Grounding.....	Case Grounding, Isolated from mounting surface

ORDERING INFORMATION AND ACCESSORIES

F15I-AST	F15I-AST
Cable (specify length in 'm')	1234-X
Magnetic Hold-Down	MHR15A
Pre-amplifier.....	0/2/4, 2/4/6

Sensors include

NIST Calibration Certificate & Warranty

