

PRODUCT DATA SHEET

HD2WD Sensor

Very Wideband Frequency Miniature Sensor

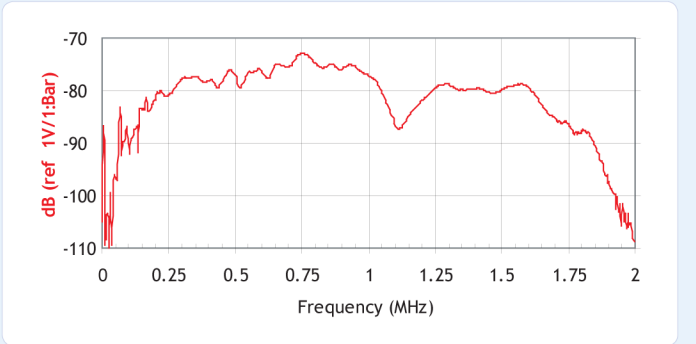
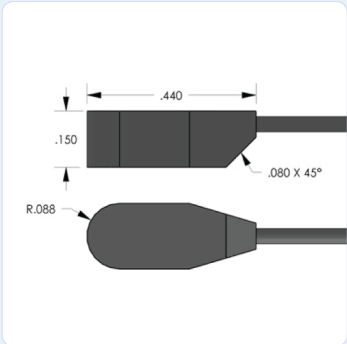


DESCRIPTION AND FEATURES

The HD2WD miniature sensor has a very wideband and flat frequency response over the range of 250 – 1600 kHz. Its small size makes the sensor an ideal candidate for computer hard disk examination and other applications requiring a small, wideband AE sensor response. A small diameter, integral coax cable exits from the side of the sensor with a BNC connector on the end.

APPLICATIONS

Wideband sensors are typically used in research applications or other applications where a high fidelity AE response is required. In research applications, wideband AE sensors are useful where frequency analysis of the AE signal is needed and in helping determine the predominant frequency band of AE sources for noise discrimination and selection of a suitable lower cost, general purpose AE sensor. Due to its extremely small size, this sensor is ideal for applications such as hard disk monitoring, where small size and low mass sensors are required.



OPERATING SPECIFICATIONS

Dynamic

Peak Sensitivity, Ref V/ μ bar -70 dB
 Operating Frequency Range 330-1850 kHz
 Resonant Frequency N/A
 Directionality N/A

Environmental

Temperature Range -65 to 125°C
 Shock Limit 500 g
 Completely enclosed crystal for RFI/EMI immunity

Physical

Dimensions 0.175" OD X 0.14" H X 0.44" L
 4.44 mm OD X 2.4 mm H X 11.17 mm L
 Weight 2.5 grams (5.5 grams with cable & connector)
 Case Material Aluminum Alloy
 Face Material Aluminum Alloy
 Connector BNC on integral cable
 Seal Epoxy
 Sensor to Preamp Cable Integral 24"

ORDERING INFORMATION AND ACCESSORIES

HD2WD HD2WD
 Cable (specify length in 'XX' m at end of PN) 1 m
 Pre-amplifier 0/2/4, 2/4/6
 Preamp to System Cable (specify length in 'm') 1234 - X
 Amplifier Subsystems AE2A, AE5A

Sensors include

NIST Calibration Certificate & Warranty

