

PRODUCT DATA SHEET

HD50 Sensor

Very Wideband Frequency Miniature Sensor

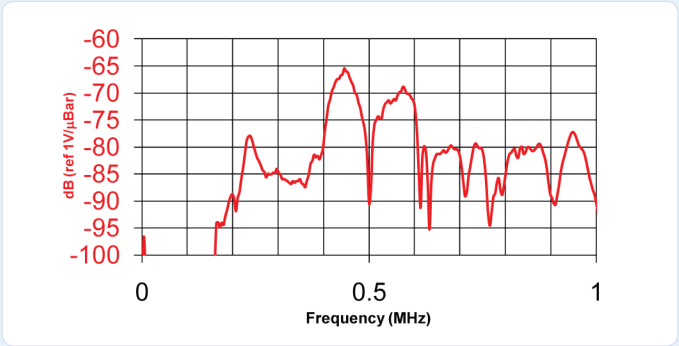
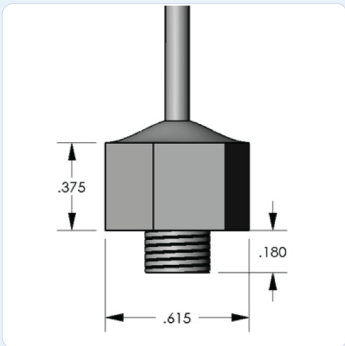


DESCRIPTION AND FEATURES

The HD50 is a very small sensor built within a Hex 4-40 threaded standoff. The HD50 offers a medium resonant frequency and high sensitivity AE response. Its small size and AE response makes it an ideal candidate for computer hard disk examination and other applications that requiring a small, medium frequency sensor. It has an integral cable with a BNC or SMA connector on the end.

APPLICATIONS

The sensor can be used in any application requiring a small, medium frequency response and threaded AE sensor mounting. It is especially useful where there is little room for sensor mounting.



OPERATING SPECIFICATIONS

Dynamic

Peak Sensitivity, Ref V/μbar -70 dB
Operating Frequency Range 400-750 kHz
Resonant Frequency, Ref V/μbar 500 kHz
Directionality N/A

Environmental

Temperature Range -65 to 125°C
Shock Limit 500 g
Completely enclosed crystal for RFI/EMI immunity

Physical

Dimensions 0.25" OD X 0.56" H
20.6 mm OD X 27 mm H
Weight 1 gram
Case Material Brass
Face Material Brass
Connector BNC or SMA
Connector Locations Top

ORDERING INFORMATION AND ACCESSORIES

HD50 HD50
Preamplifier 0/2/4, 2/4/6
Preamp to System Cable (specify length in 'm') 1234 - X
Amplifier Subsystems AE2A, AE5A

Sensors include

NIST Calibration Certificate & Warranty

