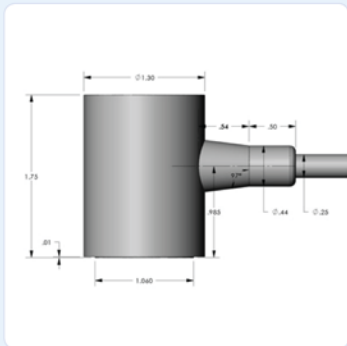


PRODUCT DATA SHEET

R6-UC Sensor

Underwater Sensor



DESCRIPTION AND FEATURES

R6-UC is a resonant underwater sensor with very high sensitivity. The sensor features special polymer coatings making it 100% insulated and non conductive with an integral waterproof cable for underwater use. The sensor is tested to depths of 1000 psi.

APPLICATIONS

The sensor can be used for the structural health monitoring of submerged structures like offshore oil and gas platforms, ships etc. They can be used inside any liquid filled platforms like pipelines, chemical tanks or any other submerged structures.

OPERATING SPECIFICATIONS

Dynamic

Peak Sensitivity, Ref V/(m/s)..... 78 dB
Peak Sensitivity, Ref V/ μ bar.....-66 dB
Operating Frequency Range..... 35-100 KHz
Resonant Frequency, Ref V/(m/s)..... 50 dB
Resonant Frequency, Ref V/ μ bar..... 90 KHz

Environmental

Temperature Range..... -65 to 177°C
Shock Limit.....500 g
Completely enclosed crystal for RFI/EMI immunity

Physical

Dimensions.....1.31"OD X 1.38"H
.....33 mm OD X 35 mm H
Weight.....98 grams
Case Material..... Stainless Steel/Epoxy
Face Material..... Ceramic
Connector..... BNC on integral cable
Connector Locations.....Side

ORDERING INFORMATION AND ACCESSORIES

R6UC.....R6UC
Cable (specify length in 'XX' m at end of PN)..... 1234-X
Pre-amplifier..... 0/2/4, 2/4/6
Preamp to System Cable (specify length in 'm')..... 1234-X
Amplifier Subsystems..... AE2A, AE5A
Other IS Sensors are available with various resonant frequencies.

Sensors include

NIST Calibration Certificate & Warranty

